

## MODEL 2027

### RECESSED COMBINATION UNIT

**OPTION:**

2027-10 SEMI RECESSED

2027-11 SURFACE MOUNTED

[www.bradleyaustralia.com](http://www.bradleyaustralia.com)



#### PRODUCT FEATURES:

- Contemporary 2027
- Combination 2-in-1 unit:  
Towel dispenser and waste receptacle
- Satin finish stainless steel

Overall Dimensions

330mm W x 1395mm H x 105mm D

#### PRODUCT DATA:

##### CONSTRUCTION:

###### Cabinet

Fabricated of type 304 (18-8) 22 gauge stainless steel with exposed surfaces in architectural satin finish. Welded construction with seamless corners and burr-free edges.

###### Door

Fabricated of type 304 (18-8) 18 gauge stainless steel, 13mm return for maximum rigidity. Concealed full-length stainless steel piano hinge, 2 tumbler locks keyed as other Bradley units.

###### Towel Dispenser

Fabricated of type 304 (18-8) 22 gauge stainless steel. Rolled edge on dispenser opening.

###### Waste Receptacle

Fabricated of satin stainless steel fully welded.

##### CAPACITY:

Towel Dispenser – holds Bradley Model 2001 paper hand towels.

Waste Receptacle Insert- 14 litres.

##### OPERATION:

Unit holds paper hand towels without the use of special adaptors.

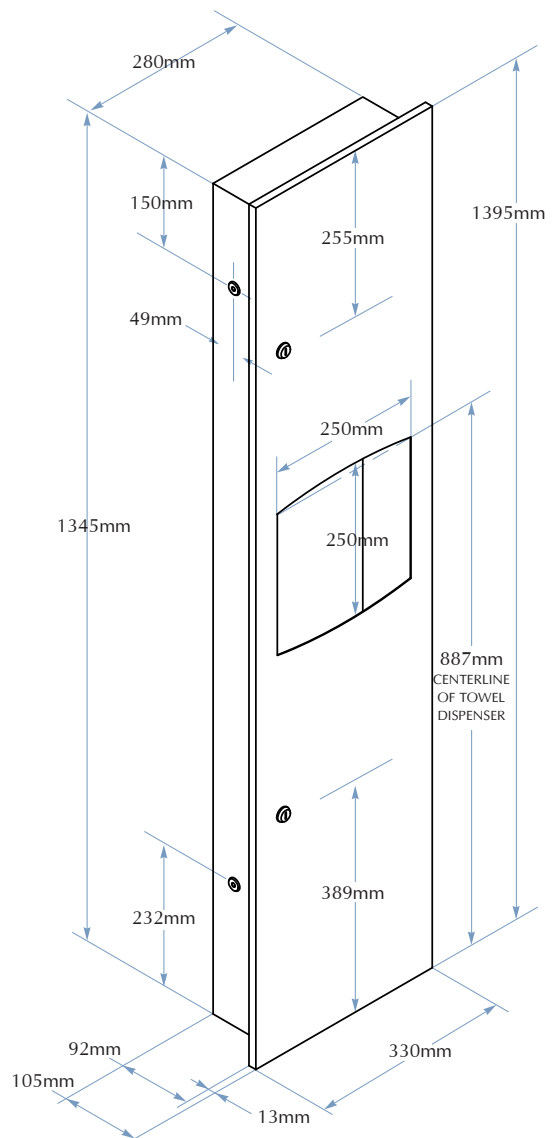
Waste receptacle insert removable by unlocking cabinet door.

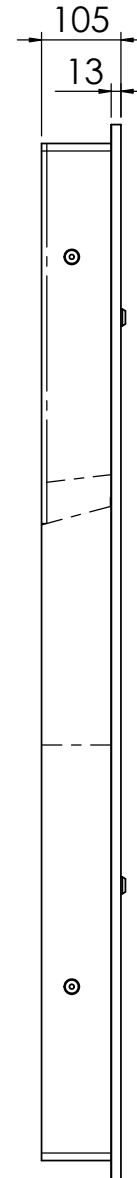
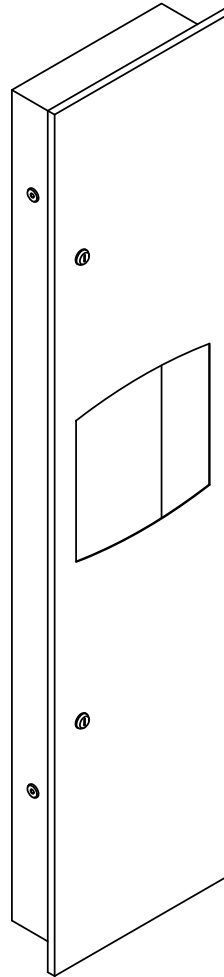
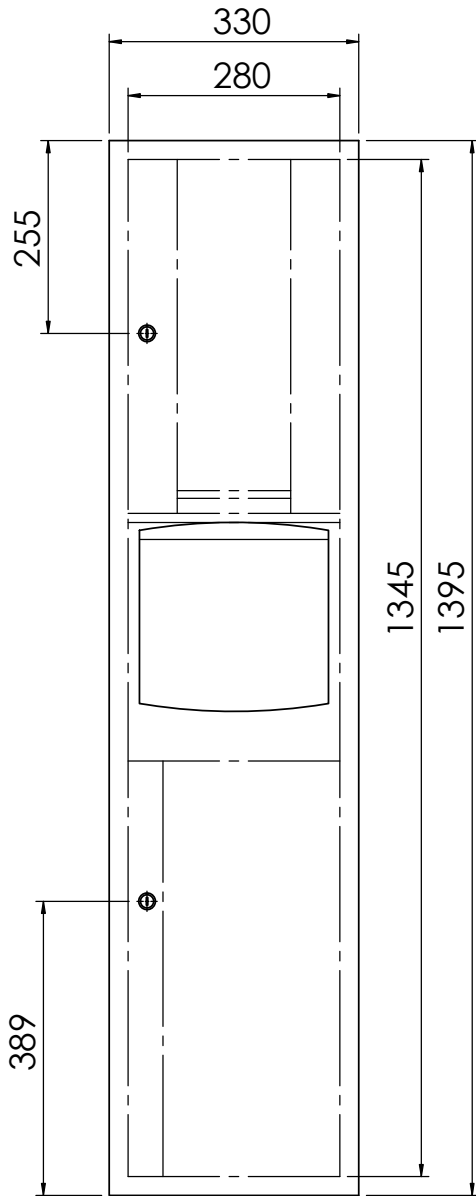
##### INSTALLATION:

Recessed unit requires Rough Wall Opening of 290mm W x 1357mm H x 115mm D. Secure to framing with mounting screws at holes provided.

##### GUIDE SPECIFICATION:

Recessed combination towel dispenser and waste receptacle shall be fabricated of heavy gauge type 304 (18-8) stainless steel with exposed surfaces in satin finish. Cabinet door of 18 gauge stainless steel with full length concealed piano hinge and secured by 2 tumbler locks.





**Bradley**  
AUSTRALIA  
customised excellence

DWG NO.	2027
APPROVED BY:	
Proudly customised design please approve	SCALE:1:10