

WALL MOUNTED HAIR DRYERS 220-110 AND 221-115



PRODUCT FEATURES 220-110:

- Compact ABS plastic casing
- Built-in shaver socket
- Ideal for executive washroom and low volume areas

Overall Dimensions
153mm W x 210mm H x 91mm D

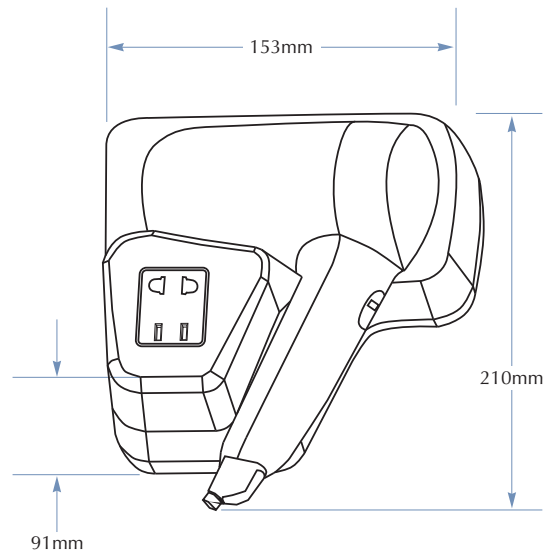


PRODUCT FEATURES 220-115:

- Compact ABS plastic casing
- Modern design
- Ideal for executive washroom and low volume areas

Overall Dimensions
95mm W x 118mm H x 112mm D

MODEL 220-110



PRODUCT DATA:

CONSTRUCTION FOR BOTH MODELS:

OUTER CASE: Outer case manufactured of ABS plastic.

MOTOR: 1200w energy and cost saver.

ELECTRICAL SPECIFICATIONS FOR BOTH MODELS:

WEIGHT:	220-110 = 1.3kg
	220-115 = 0.7kg
RATING/WATTAGE/CURRENT:	AC-220V / 1200w / 5.5A
AIR SPEED:	13m/sec
BLOWING VOLUME:	71m ³ /h

OPERATION:

- 220-110: Instant on/off with micro-safe button on handle.
Two heat setting on dryer. Quiet and long life motor.
- 220-115: Instant on/off with micro-safe button on handle.

INSTALLATION FOR BOTH MODELS:

Secure to wall with mounting screws (included) at holes provided.

GUIDE SPECIFICATION FOR BOTH MODELS:

Surface mounted automatic hair dryers shall be manufactured of ABS plastic. Motor long-life energy saver.

MODEL 220-115

