

Bradley

AUSTRALIA

customised excellence

MODEL 220-1900

www.bradleyaustralia.com

OVATION SERIES HAND DRYER 220-1900



PRODUCT FEATURES:

- Compact ABS plastic casing
- Wall mounted
- Modern design
- Ideal for executive washroom and low volume areas

Overall Dimensions
210mm W x 285mm H x 145mm D

PRODUCT DATA:

CONSTRUCTION:

OUTER CASE: Outer case manufactured of white ABS plastic, featuring vandal resistant key.

MOTOR: 1000w energy and cost saver.

ELECTRICAL SPECIFICATIONS:

ELECTRICAL SUPPLY:	240V / 50Hz / 4.17A
ELEMENT:	980W / 95°C / 8A/250V
AIR VELOCITY:	8.8m/sec
NOISE LEVEL:	73db
NETT WEIGHT:	2kg
PROTECTION CATEGORY:	IPX1

RECOMMENDED INSTALLATION HEIGHT:

Men's Washroom	1200mm
Women's Washroom	1150mm
Children's Washroom (ages 11-15)	1110mm
Children's Washroom (ages 5-10)	850mm
Disabled Person's Washroom	1000mm

OPERATION:

Activation by infra-red (touch free) sensor.

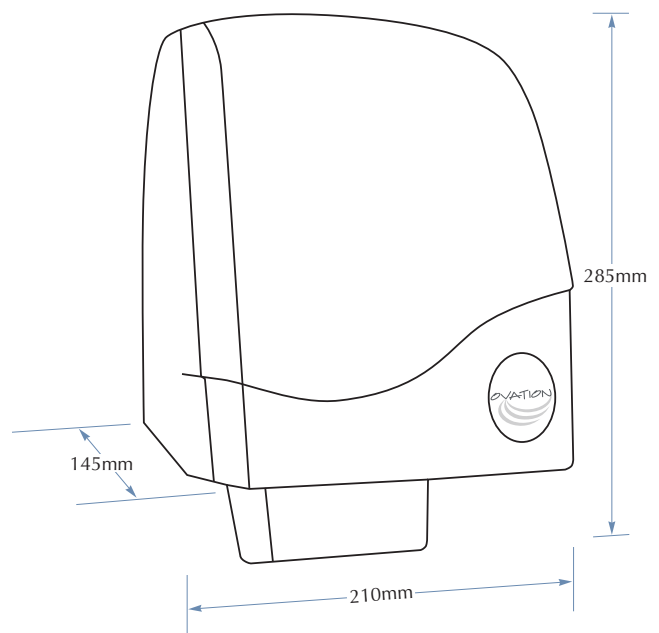
INSTALLATION:

Secure to wall through back-plate with mounting screws provided.

GUIDE SPECIFICATION:

Surface mounted automatic hand dryer shall be manufactured of ABS plastic, featuring vandal-resistant key. Motor long-life energy saver.

10 to 15 second drying time.



TOLL FREE 1300 364 561

The manufacturer reserves the right to make changes in design and material without formal notice and without incurring obligation.