

# Bradley

AUSTRALIA

customised excellence

## MODEL 220-1926W

Option:

220-1926 Mirror Finish Chrome

[www.bradleyaustralia.com](http://www.bradleyaustralia.com)

### OVATION SERIES HAND DRYER 220-1926W



#### PRODUCT FEATURES:

- White powdercoat casing
- Wall mounted
- Modern design
- Ideal for executive washroom and low volume areas

Overall Dimensions  
225mm W x 282mm H x 160mm D

#### PRODUCT DATA:

##### CONSTRUCTION:

OUTER CASE: White powdercoat.  
MOTOR: High powered 1650W.

##### ELECTRICAL SPECIFICATIONS:

RATING/WATTAGE/CURRENT: AC-220V / 50Hz / 1650W / 7.5A  
AIR SPEED: 16m/sec  
ACTION DISTANCE: 50 to 200mm  
WATER SPLASH PROOF: IPX1

##### OPERATION:

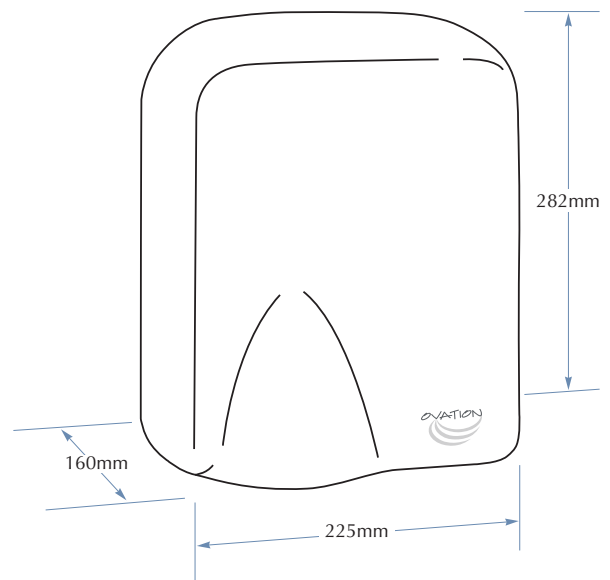
Activation by infra-red (touch free) sensor.

##### INSTALLATION:

Secure to wall through back-plate with mounting screws provided.

##### GUIDE SPECIFICATION:

Surface mounted automatic hand dryer shall be manufactured of white powdercoat finish. Motor long-life with 10 to 15 second drying time.



TOLL FREE 1300 364 561

The manufacturer reserves the right to make changes in design and material without formal notice and without incurring obligation.