

Bradley
AUSTRALIA

customised excellence

www.bradleyaustralia.com

MODEL 220-1926

Option:

220-1926W White Powdercoat

OVATION SERIES HAND DRYER 220-1926



PRODUCT FEATURES:

- Mirror finish chrome casing
- Wall mounted
- Modern design
- Ideal for executive washroom and low volume areas

Overall Dimensions
225mm W x 282mm H x 160mm D

PRODUCT DATA:

CONSTRUCTION:

OUTER CASE: Mirror finish chrome.
MOTOR: High powered 1650W.

ELECTRICAL SPECIFICATIONS:

RATING/WATTAGE/CURRENT: AC-220V / 50Hz / 1650W / 7.5A
AIR SPEED: 16m/sec
ACTION DISTANCE: 50 to 200mm
WATER SPLASH PROOF: IPX1

OPERATION:

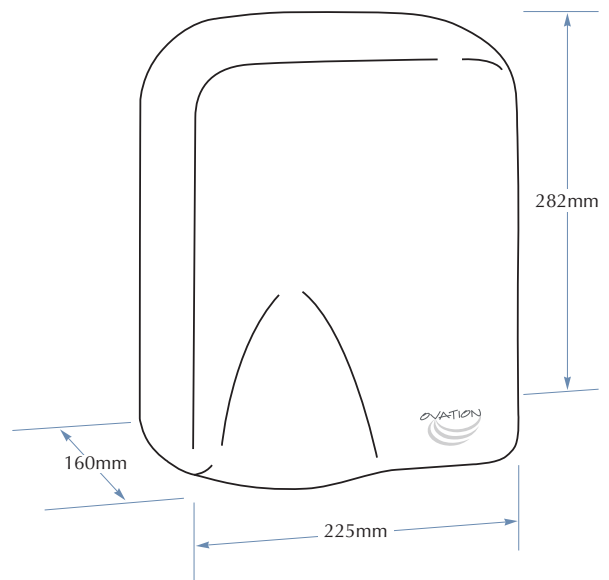
Activation by infra-red (touch free) sensor.

INSTALLATION:

Secure to wall through back-plate with mounting screws provided.

GUIDE SPECIFICATION:

Surface mounted automatic hand dryer shall be manufactured of mirror finish chrome. Motor long-life with 10 to 15 second drying time.



TOLL FREE 1300 364 561

The manufacturer reserves the right to make changes in design and material without formal notice and without incurring obligation.