

**Bradley**  
AUSTRALIA

customised excellence

[www.bradleyaustralia.com](http://www.bradleyaustralia.com)

## MODEL 220-323-MW

### HAND DRYER

#### Options:

220-323 - Satin

220-323-MB - Matte Black



#### PRODUCT FEATURES:

- Matte white finish stainless steel
- Wall mounted
- 100m/s airspeed
- Water splash proof
- Hot and cold switch
- Ultra slim design

Overall Dimensions:

230mm W x 346mm H x 100mm D

#### PRODUCT DATA:

##### CONSTRUCTION:

Manufactured in grade 304 stainless steel 1.5mm thick to protect against corrosion and vandalism, it is a fully vandalproof dryer ideal for heavy duty areas.

##### OPERATION:

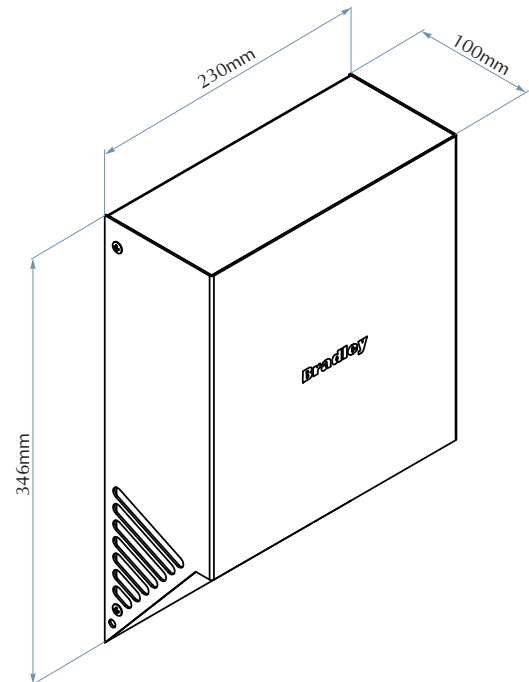
Activation by infra-red (touch free) sensor.

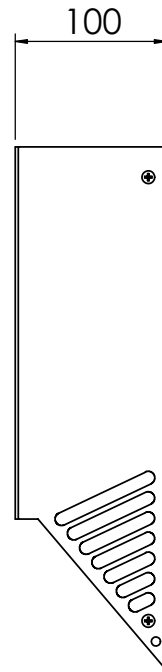
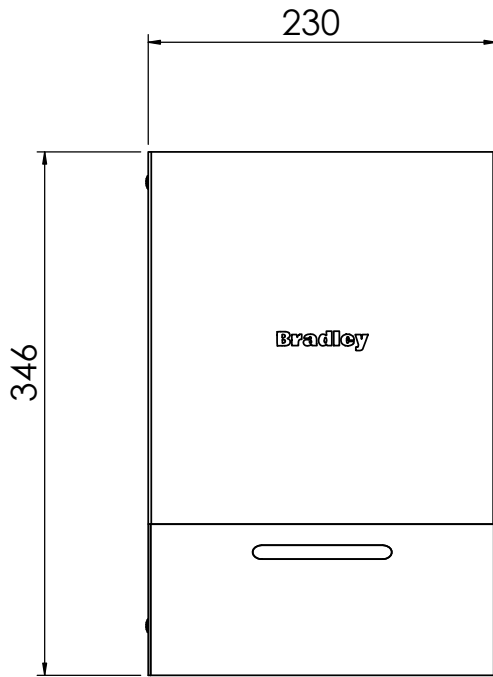
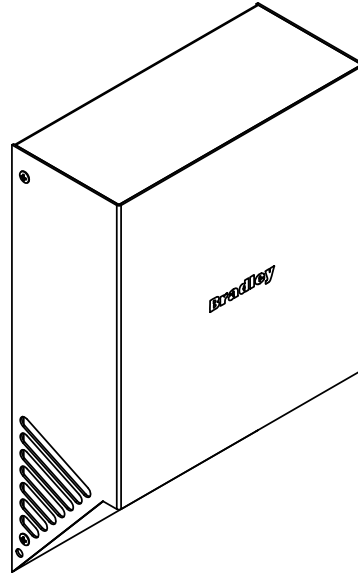
##### INSTALLATION:

Requires 10 amp power supply. Secure to wall through back-plate with mounting screws provided.

##### GUIDE SPECIFICATION:

Surface mounted automatic hand dryer shall be fabricated of type 304 stainless steel, 2mm thick, featuring vandal-resistant key and concealed nozzle. Motor long-life energy saver. 10 to 15 seconds drying time.





<b>Bradley</b> AUSTRALIA customised excellence	
DWG NO.	220-323-MW
APPROVED BY:	
Proudly customised design please approve	SCALE:1:5