

Bradley

AUSTRALIA

customised excellence

MODEL 244

Options:

244-10 Semi-Recessed

244-11 Surface Mounted

www.bradleyaustralia.com

RETRO SERIES RECESSED TOWEL DISPENSER 244



PRODUCT FEATURES:

- Satin finish stainless steel
- Recessed
- Tumbler lock

Overall Dimensions
356mm W x 711mm H x 102mm D

PRODUCT DATA:

CONSTRUCTION:

CABINET: Fabricated of type 304 (18-8), heavy gauge stainless steel. All welded construction,

FLANGE: Fabricated of type 304 (18-8), 22 gauge stainless steel with exposed surfaces in architectural satin finish. One piece seamless construction, 25mm wide with 7mm return.

DOOR: Fabricated of type 304 (18-8), 18 gauge stainless steel. Warp resistant, with full length piano hinge and tumbler lock keyed as other Bradley units.

TOWEL DISPENSER: Fabricated of type 304 (18-8), 22 gauge stainless steel. Rolled edge on dispenser opening.

CAPACITY:

Unit holds Bradley Model 2001 paper hand towels.

OPERATION:

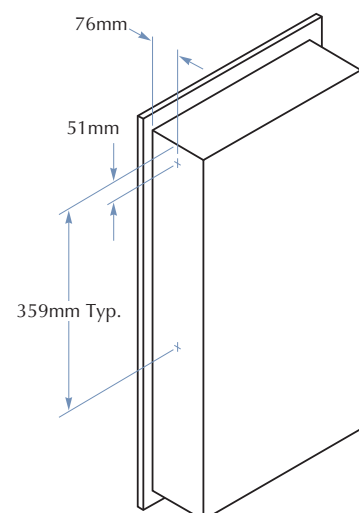
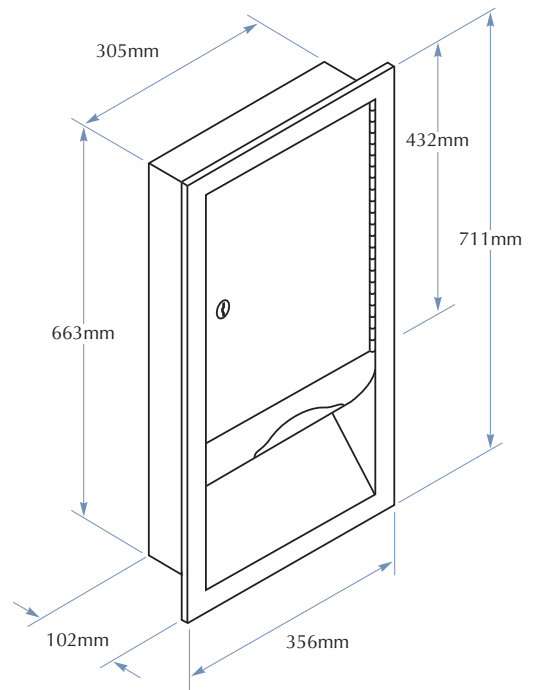
Unit holds paper hand towels without use of special adaptor.

INSTALLATION:

Recessed unit requires Rough Wall Opening 675mm H x 315mm W x 100mm D. (Semi-recessed unit only 51mm deep.) Secure to framing with mounting screws (included) at holes provided. Shim at screw points as required.

GUIDE SPECIFICATION:

Recessed paper towel dispenser shall be fabricated of type 304 (18-8), stainless steel with exposed surfaces in satin finish. Door with full length piano hinge and secured by tumbler lock.



TOLL FREE 1300 364 561

The manufacturer reserves the right to make changes in design and material without formal notice and without incurring obligation.