



- Model 2A09 — Recessed (recesses 9-3/4"; projects 2-3/4")
- Model 2A09-10 — Semi-Recessed (recesses 4"; projects 8-1/2")
- Model 2A09-11 — Surface-Mounted (projects 13-1/4")

- Diplomat Series
- Roll Paper Towels

Product Materials

CABINET: 0.030-inch/22ga.-(0.76 mm) stainless steel with exposed surfaces in architectural satin finish. Welded construction with seamless corners and burr-free edges.

FLANGE: 0.030-inch/22ga.-(0.76 mm) stainless steel with exposed surfaces in architectural satin finish. One-piece seamless construction, 1" wide with 1/4" return.

DOOR: 0.036-inch/20ga.-(0.92 mm) stainless steel with full length piano hinge and tumbler lock keyed like other Bradley units. Front of door has matching curvature to other Bradley Diplomat washroom accessories.

TOWEL DISPENSER: Owner provided.

Capacity

Towel Dispenser - owner provided towel dispenser maximum dimensions - 8-1/2" D x 14-1/2" W x 17" H

Operation

Operates with less than 5 lbs. of force. Towel dispenser delivers preset length of towel (5-1/2" per stroke).

Installation

Verify all rough-in dimensions prior to installation. Recessed unit requires rough wall opening 15-1/2"W x 29-1/8"H x 9-3/4"D. (Semi-recessed unit only 4"D). Secure to framing with mounting screws (not included) at holes provided. Shim at screw points as required.



Guide Specification

Housing to accept owner's roll paper towel dispenser in [recessed] [semi-recessed] [surface-mounted] wall cabinet. Towel cabinet door face formed with contemporary contours, radii, and finish matching related accessories in manufacturer's designer series. Cabinet accepts owner-furnished roll towel dispenser, with hinged service door with keyed tumbler lock. Universal keying. Cabinet and door formed from stainless steel sheet, 0.030-inch / 22-ga. thick, with satin finish on exposed surfaces, fully welded, with seamless corners and burr-free edges. Confirm owner dispenser and dispenser housing dimensions.

Overall dimensions: 17-1/8"W x 30-5/8"H x 12-1/2"D.

MasterFormat Title: Commercial Toilet Accessories

MasterFormat Number: 10 28 13.13

OmniClass Title: Toilet and Bath Specialties

OmniClass Code: 23.31.25.00

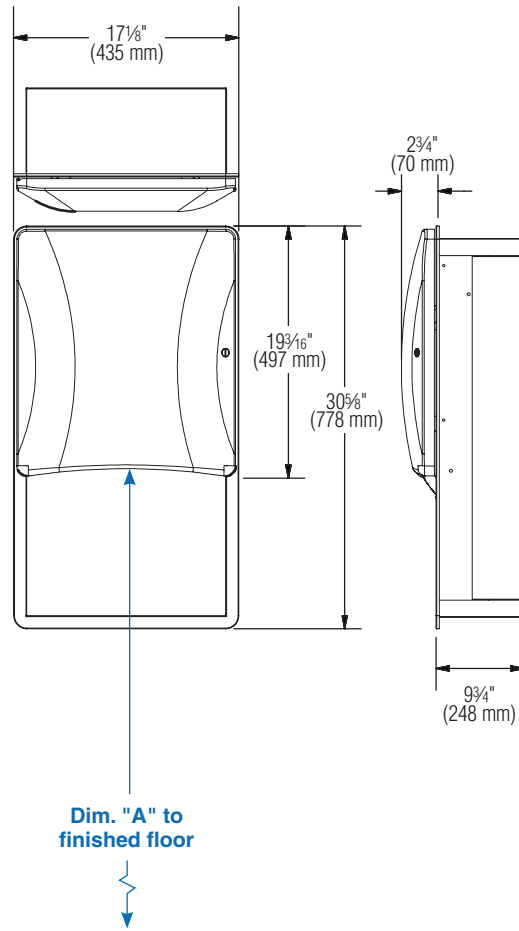
ADA Compliant

- Consult local and national accessibility codes for proper installation guidelines.
- Conformity and compliance to local and national codes is the responsibility of the installer.

For information on Warranties, Maintenance and BAA/ARRA Compliance, visit our web site at:
bradleycorp.com/products/accessories/.



Dimensions



Dim. "A" Key Surface:	For Dim. "A"	Locate Top of Rough Wall Opening	Locate Bottom of Rough Wall Opening
Paper towel top of opening to finished floor	48" (1219mm)	66 ¹ / ₄ " (1683mm)	37 ¹ / ₈ " (943mm)
	45" (1143mm)	63 ¹ / ₄ " (1607mm)	34 ¹ / ₈ " (867mm)
	42" (1067mm)	60 ¹ / ₄ " (1530mm)	31 ¹ / ₈ " (791mm)
	40" (1016mm)	58 ¹ / ₄ " (1480mm)	29 ¹ / ₈ " (740mm)