

Bradley
AUSTRALIA

customised excellence

www.bradleyaustralia.com

MODEL 359

WASTE RECEPTACLE 359



PRODUCT FEATURES:

- Satin finish stainless steel
- Surface mounted
- 5 litre capacity

Overall Dimensions
260mm W x 230mm H x 110mm D

PRODUCT DATA:

CONSTRUCTION:

UNIT: Fabricated of type 304 (18-8), 22 gauge stainless steel with exposed surfaces in architectural satin finish. All welded construction with rounded front corners.

CAPACITY:

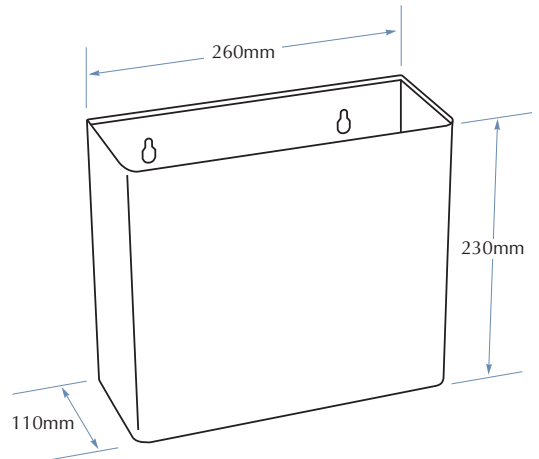
5 litres (1.5 gal./2 cu. ft.).

INSTALLATION:

Secure to wall with appropriate anchoring devices at 2 mounting holes provided. Mounting screws included.

GUIDE SPECIFICATION:

Surface mounted facial tissue receptacle shall be fabricated of type 304 (18-8), 22 gauge stainless steel with seamless exposed surfaces in satin finish.



TOLL FREE 1300 364 561

The manufacturer reserves the right to make changes in design and material without formal notice and without incurring obligation.