



PRODUCT FEATURES:

- Satin finish stainless steel
- Can be used in conjunction with 3206, 3205 or 3207 waste chute
- Custom bench top chute can be made in a square or round via stone/bench top manufacture
- Under bench mounted
- 21 litre capacity
- Concealed waste bin
- Screw fix waste bin under solid bench surface
- Compact and clean for concealing rubbish out of eyesight
- Secure key lock opens via a hinged base to remove waste

Overall Dimensions
239.8mm W x 292mm H x 300mm D

PRODUCT DATA:

CONSTRUCTION:

Fabricated of type 304 (18-8), 22 gauge stainless steel with exposed surfaces in architectural satin finish. All welded construction with rounded front corners. Bottom equipped with lock and heavy duty stainless steel piano hinge.

OPERATION:

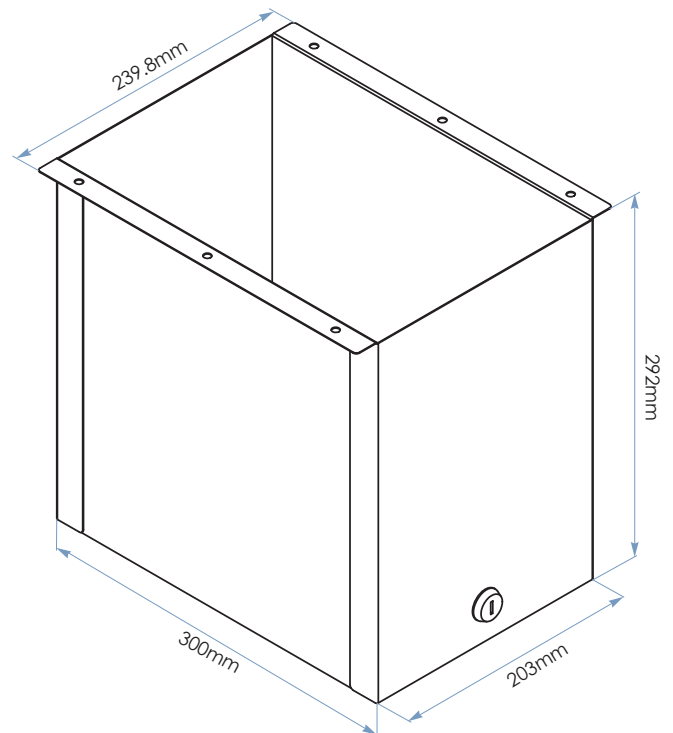
Bottom opens for removal of waste.

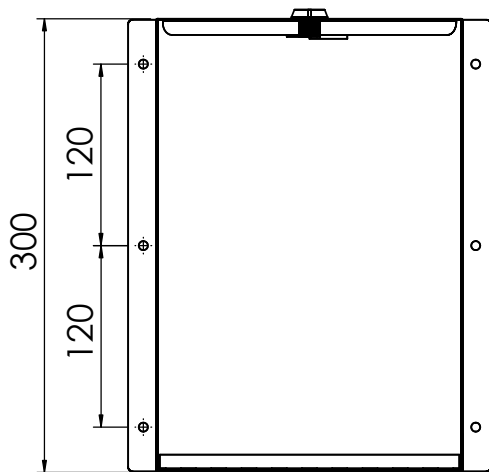
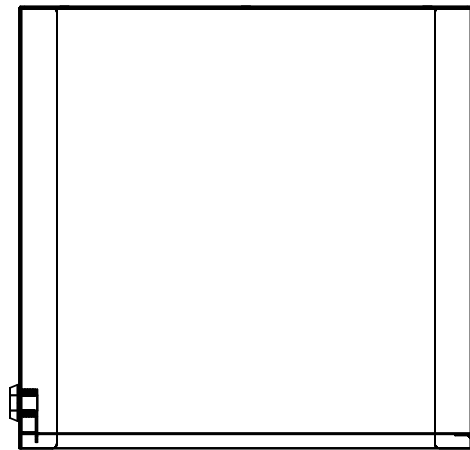
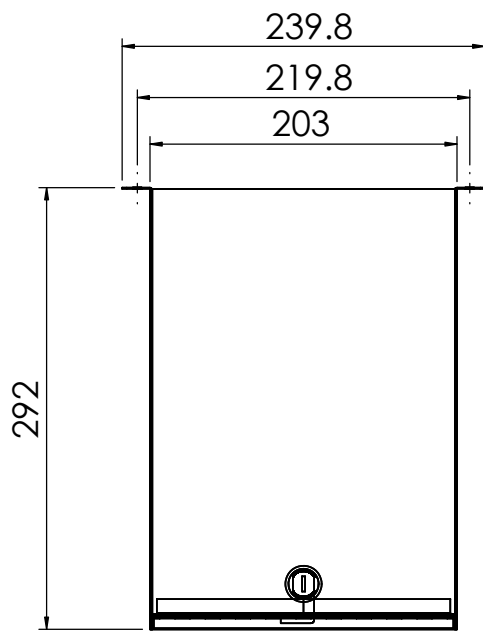
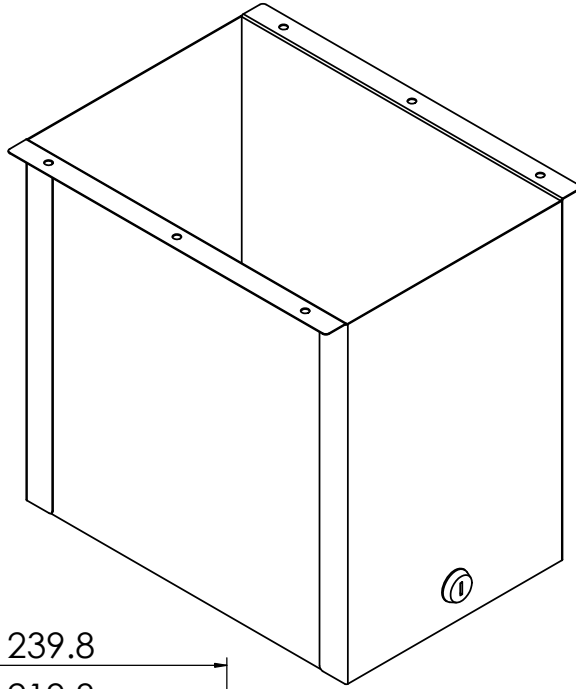
INSTALLATION:

Secure to under of bench/vanity top with screws (not included) or silicone fix with mounting screws (included) at holes provided. Fixing tabs are located on the top of the concealed waste bin for easy attachment.

GUIDE SPECIFICATION:

Surface mounted concealed waste bin shall be fabricated of type 304(18-8), 22 gauge stainless steel with exposed surfaces in satin finish. Attached by piano hinge. Bottom piano hinge for easy servicing. With overall dimensions of 239.8mm W x 292mm H x 300mm D.





Bradley	
DWG NO.	389
APPROVED BY:	
Proudly customised design please approve	SCALE:1:5