

Bradley
AUSTRALIA

customised excellence

www.bradleyaustralia.com

MODELS 5094

SINGLE ROLL TOILET TISSUE DISPENSER

Options:

5294 Double Roll Dispenser

5293 Triple Roll Dispenser



PRODUCT FEATURES:

- Ideal for partition mounting
- Satin finish stainless steel
12mm diameter round bar
- Mounting bracket
black ABS
- Single roll

Overall Dimensions:
145mm W x 108mm H

PRODUCT DATA:

CONSTRUCTION:

Fabricated of satin finish stainless steel.

CAPACITY:

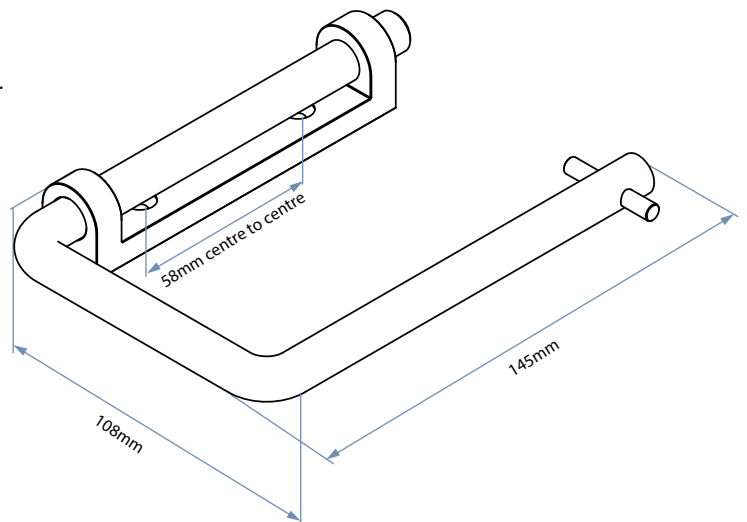
Model 5094 holds one standard core toilet tissue roll.
(Bradley Model 4007 x 2 Ply 400 sheets) is recommended.

INSTALLATION:

Secure to wall with mounting screws (included) at holes provided.

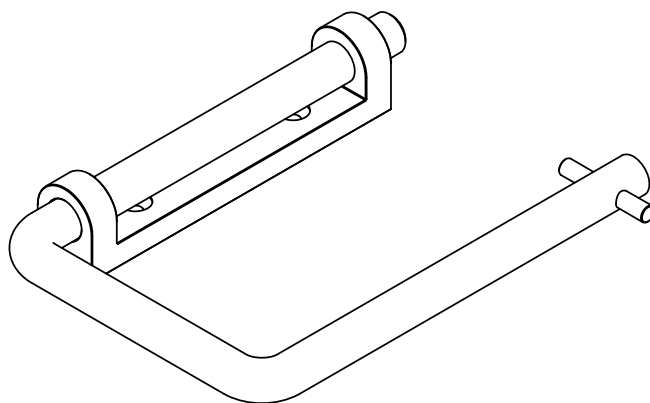
GUIDE SPECIFICATION:

Surface mounted toilet tissue dispensers shall be satin finish stainless steel with 12mm diameter round bar and black ABS mounting bracket. With overall dimensions of 145mm W x 108mm H.

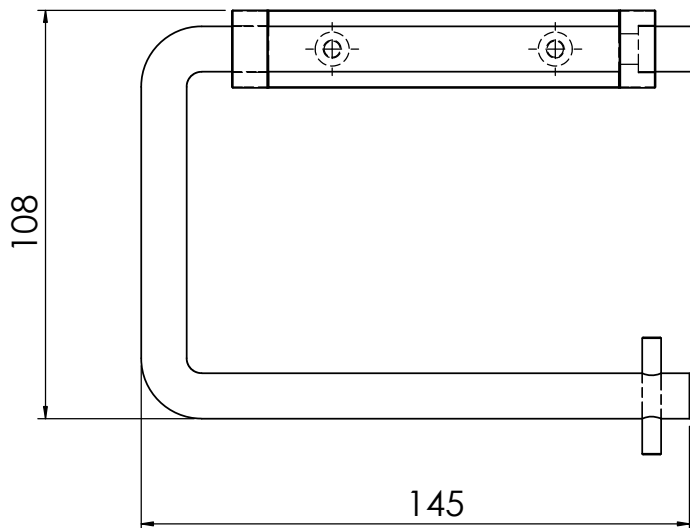


5094

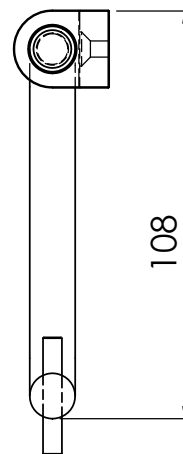
SINGLE ROLL TOILET TISSUE DISPENSER



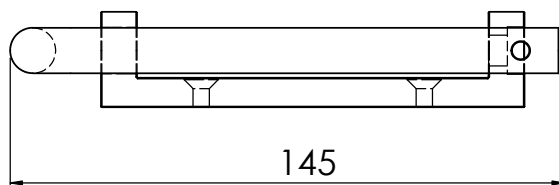
FRONT VIEW



SIDE VIEW



TOP VIEW



Bradley AUSTRALIA customised excellence	
DWG NO.	5094
APPROVED BY:	
Proudly customised design please approve	SCALE:1:2