

Bradley

AUSTRALIA

customised excellence

MODEL 51552A

MINI SOFT INTERLEAVED TOILET TISSUE DISPENSER

Option:

51552A-MB - Matte Black

www.bradleyaustralia.com



PRODUCT FEATURES:

- Hands free, dispensing is designed to allow no touching of the dispenser.
- Satin finish stainless steel
- Refills with 2 packs of interleaved toilet tissue
- Lockable to prevent theft between refills
- Clear window so you can easily see when it needs to be refilled
- AS 1428.1 Compliant
- Viewing window for refilling
- Flat top/shelf

Overall Dimensions:

126mm W x 220mm H x 100mm D

PRODUCT DATA:

CONSTRUCTION:

Fabricated of type 304 (18-8), 22 gauge stainless steel with exposed surfaces in architectural satin finish and tumbler lock keyed as other Bradley units. Welded construction with burr-free edges.

CAPACITY:

Has a high capacity, uses single sheet dispensing, reducing usage. We recommend to refill this dispenser using Scott and Kleenex and Bradleycare paper rolls, refill for best performance with the following product codes 4321, 4322 and 22431.

OPERATION:

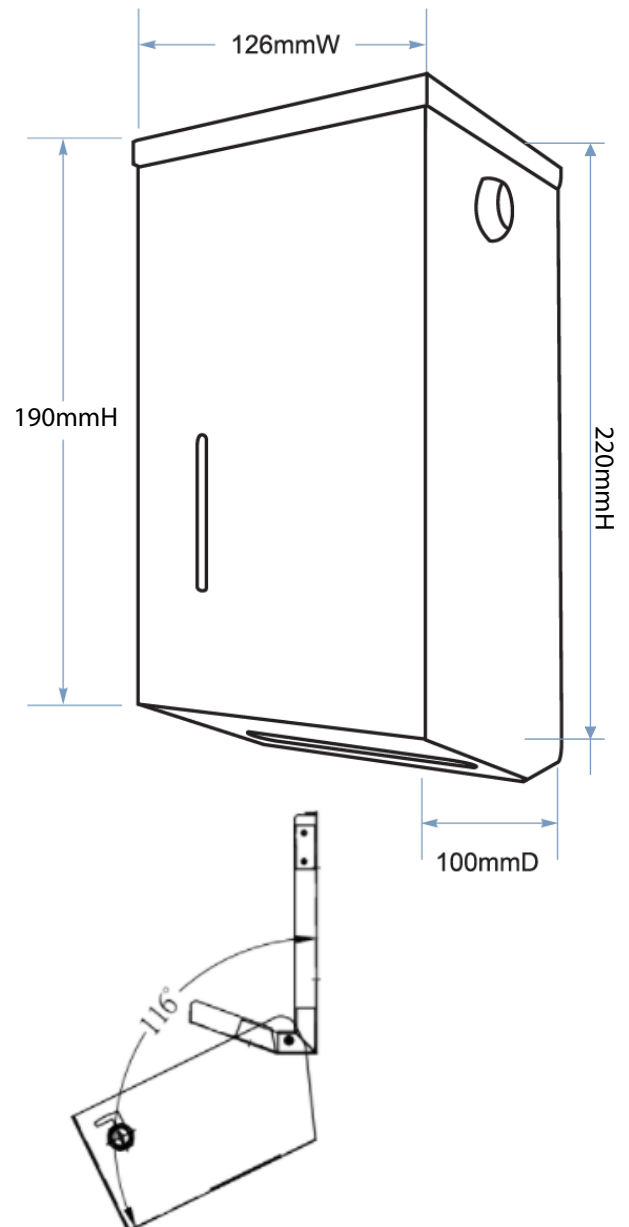
This dispenser promotes hygienic bathroom use since you only have to touch the paper that you are using. The lock is at the side of the unit allowing the lid to double as a phone shelf. It has an acrylic viewing window for cleaners to know when to refill the paper.

INSTALLATION:

Can be mounted on a wall or divider in a bathroom. This unit when mounted within the zone specified in the code, will comply with Australian Standards AS 1428.1

GUIDE SPECIFICATION:

Surface mounted the mini soft interleaved toilet tissue dispenser refills with 2 packs of tissue. It shall be heavy gauge satin finish stainless steel.



1300 364 561

The manufacturer reserves the right to make changes in design and material without formal notice and without incurring obligation.