

## MODEL 51553

### MAXI SOFT INTERLEAVED TOILET TISSUE DISPENSER

[www.bradleyaustralia.com](http://www.bradleyaustralia.com)



#### PRODUCT FEATURES:

- Touchless dispensing to help improve hygiene levels.
- Satin stainless steel finish
- Refills with 3 packs of interleaved toilet tissue
- Lockable to prevent theft between refills
- Viewing window for refilling
- Flat top/shelf

Overall Dimensions

129mm W x 400mm H x 120mm D

#### PRODUCT DATA:

##### CONSTRUCTION:

Fabricated of type 304 (18-8), 22 gauge stainless steel with exposed surfaces in architectural satin finish and tumbler lock keyed as other Bradley units. Welded construction with burr-free edges.

##### CAPACITY:

The 51553 is a high capacity dispenser which uses single sheet dispensing to reduce usage. We recommend refilling the dispenser with the Bradleycare paper 4321, 4322 and 22431.

##### OPERATION

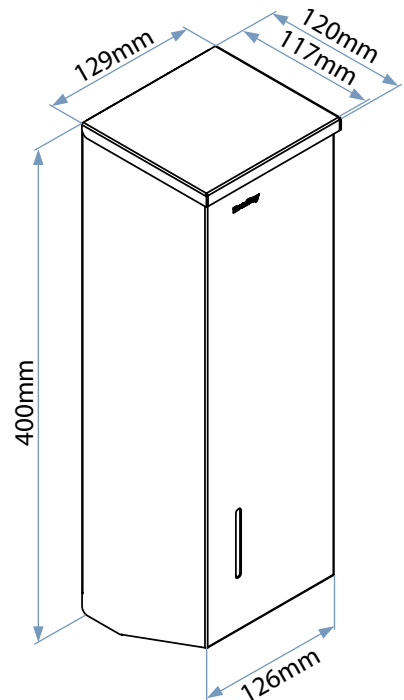
Single touch toilet paper dispensers promote hygienic bathroom use. The lock on the side of the dispenser allowing the lid to double up as a phone shelf. The 51553 has an acrylic viewing window to check when the refill is required.

##### INSTALLATION:

This unit can be mounted on a wall or partition in a public washroom, high rise office, schools and universities.

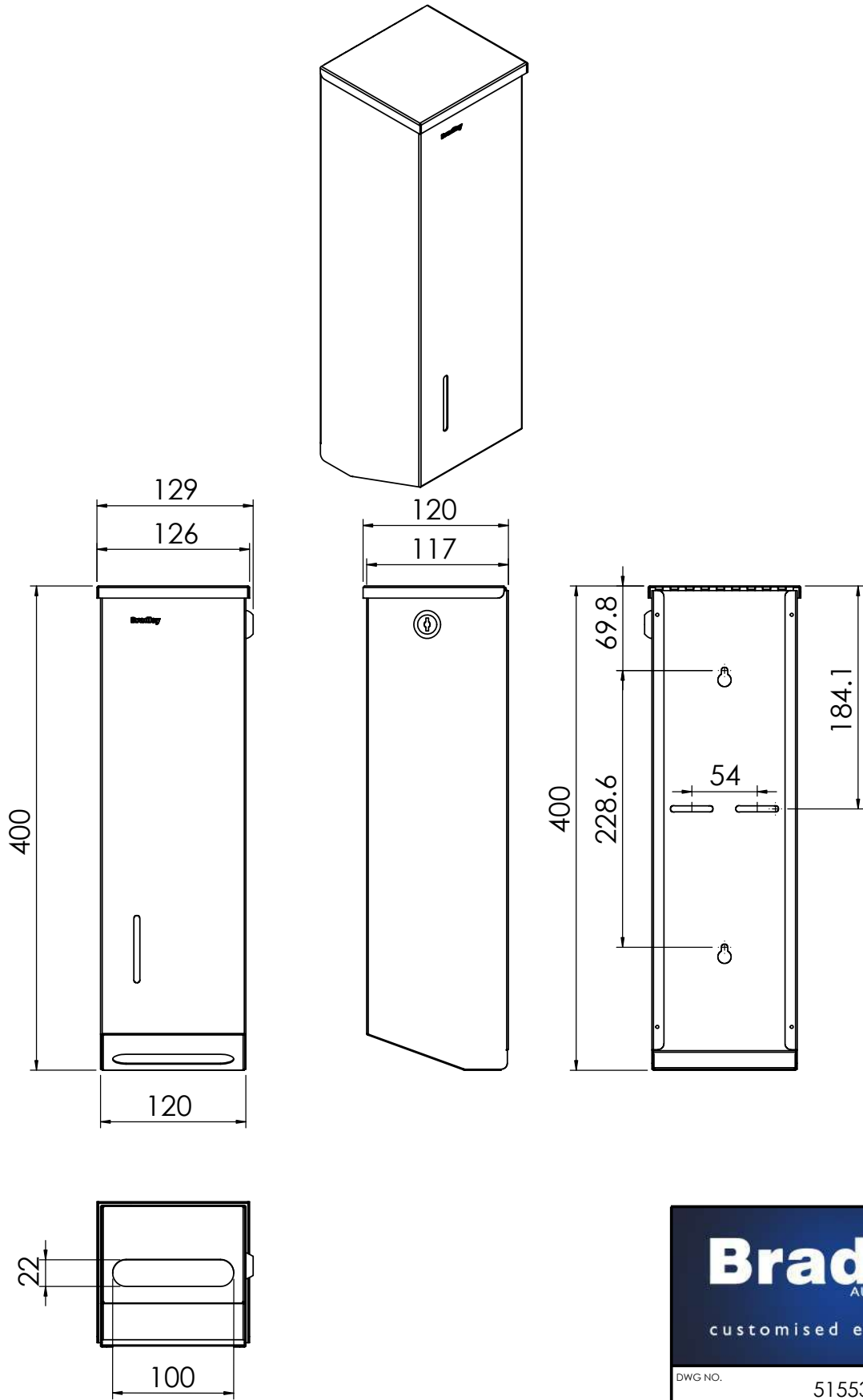
##### GUIDE SPECIFICATION:

Surface mounted the interleaved toilet tissue dispenser  
Refills with 3 packs of tissue. It shall be heavy gauge satin finish stainless steel.



51553

MAXI SOFT INTERLEAVED TOILET TISSUE DISPENSER



**Bradley**  
AUSTRALIA  
customised excellence

DWG NO.	51553
APPROVED BY:	
Proudly customised design please approve	SCALE:1:5