

Bradley
AUSTRALIA

customised excellence

www.bradleyaustralia.com

MODEL 5224-MB

DOUBLE ROLL TOILET TISSUE DISPENSER

Option:
5224 Chrome Plated Steel



PRODUCT FEATURES:

- Surface mounted
- Heavy duty steel in matte black finish
- Dual roll tension spring controlled delivery
- Vandal resistant locking mechanism
- Chrome plated option also available

Overall Dimensions

314mm W x 70mm H x 110mm D

PRODUCT DATA:

CONSTRUCTION:

UNIT: Fabricated of heavy gauge steel in matte black finish.

CAPACITY:

Holds two standard core toilet tissue rolls.

(Bradley Model 4004 x 2 Ply and Bradley Model 4008 x 1 Ply)

OPERATION:

Remove tissue roll core to access special locking mechanism for servicing. Tension spring controls paper delivery.

CARE INSTRUCTIONS:

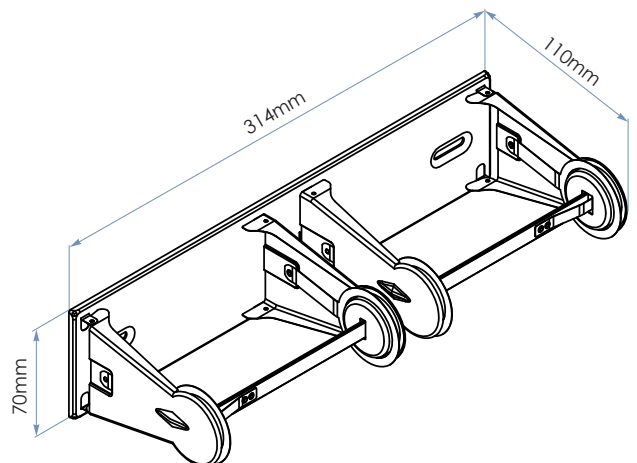
Periodic cleaning with warm water and mild soap followed by a clean water rinse will keep finish in prime condition. Be sure to wipe the surface dry after cleaning. Prevention is the best protection from surface scratches.

INSTALLATION:

Secure to wall with mounting screws (included) at holes provided.

GUIDE SPECIFICATION:

Surface mounted toilet tissue dispenser shall be heavy gauge steel in matte black finish. Tension spring controls paper delivery.

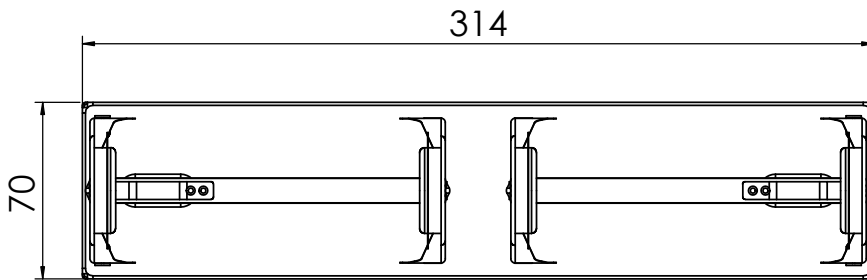
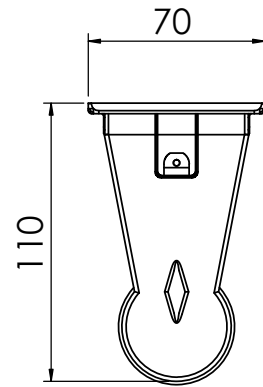
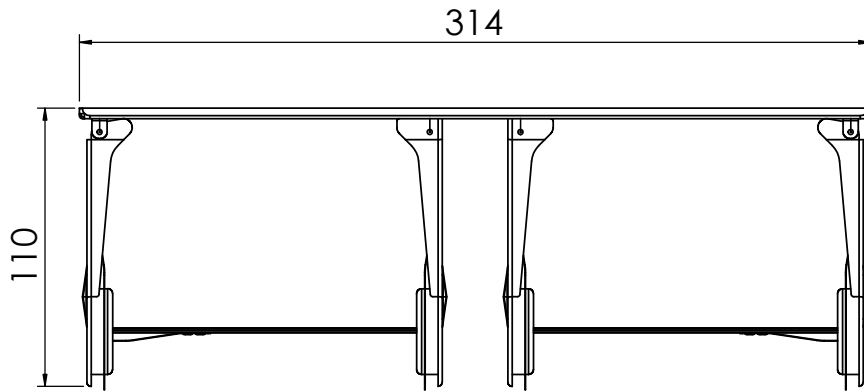
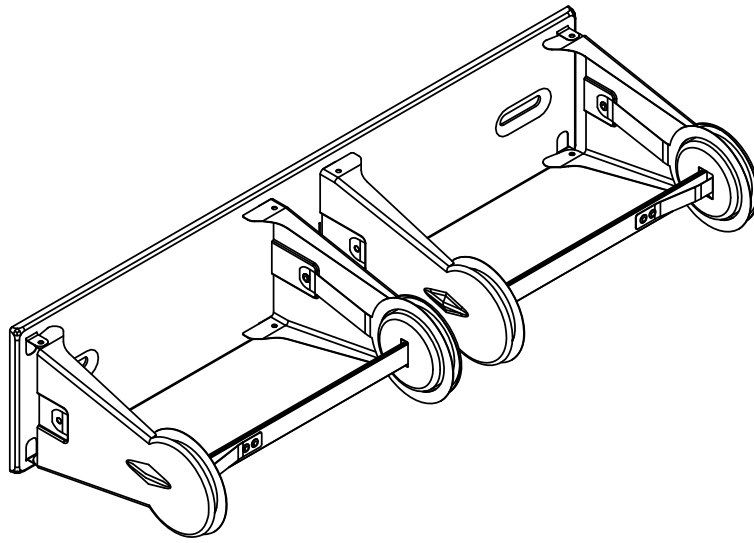


1300 364 561

The manufacturer reserves the right to make changes in design and material without formal notice and without incurring obligation.

5224-MB

DOUBLE ROLL TOILET TISSUE DISPENSER



Bradley
AUSTRALIA
customised excellence

DWG NO. 5224-MB

APPROVED BY:

Proudly customised design please approve SCALE:1:3