

Bradley
AUSTRALIA

customised excellence

www.bradleyaustralia.com

MODEL 5244

DOUBLE ROLL TOILET TISSUE DISPENSER

Options:

5044 Single Roll Toilet Tissue Dispenser



PRODUCT FEATURES:

- ABS plastic
- Non-controlled delivery
- Dual roll

Overall Dimensions
300mm W x 85mm H x 100mm D

PRODUCT DATA:

CONSTRUCTION:

Unit fabricated of ABS plastic.

CAPACITY:

Model 5244 holds two standard core toilet tissue rolls.

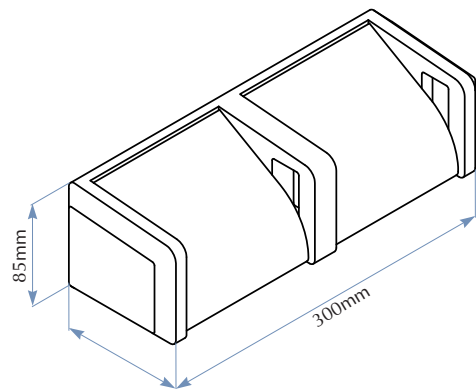
(Bradley Model 4004 x 2 Ply and Bradley Model 4008 x 1 Ply)

INSTALLATION:

Secure to wall with mounting screws (included) at holes provided.

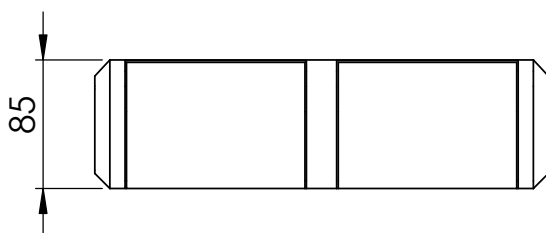
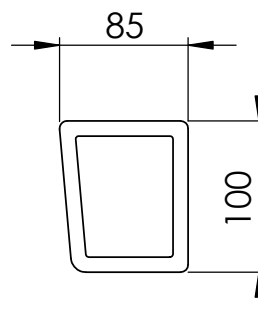
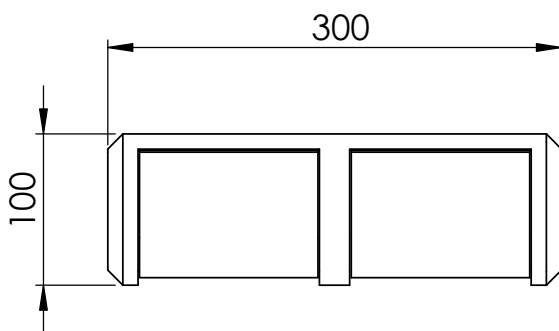
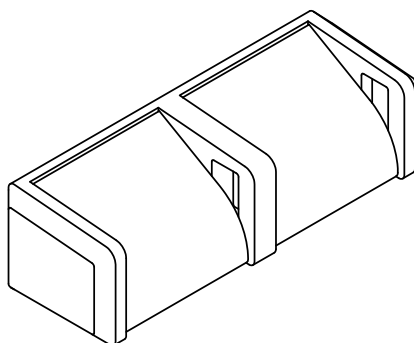
GUIDE SPECIFICATION:

Surface mounted toilet tissue dispensers shall be ABS plastic.



5244

DOUBLE TOILET ROLL TISSUE DISPENSER



Bradley
AUSTRALIA
customised excellence

DWG NO. 5244

APPROVED BY:

Proudly customised design please approve SCALE:1:5