

# Bradley

AUSTRALIA

customised excellence

www.bradleyaustralia.com

## MODEL 6542B - Horizontal MODEL 6562B - Vertical LIQUID SOAP DISPENSER

### PRODUCT FEATURES:

#### SOAP DISPENSER 6542B

- Surface mounted
  - Tank is corrosion resistant
  - Tank is a leak proof liquid container
  - Tank type - horizontal
  - 1.2 litre capacity
  - Satin finish stainless steel
  - AS 1428.1 Compliant
- Overall Dimensions  
202mm W x 122mm H x 72mm D  
with push button projection to 96mm

#### SOAP DISPENSER 6562B

- Surface mounted
  - Tank is corrosion resistant
  - Tank is a leak proof liquid container
  - Tank type - vertical
  - 1.2 litre capacity
  - Satin finish stainless steel
  - AS 1428.1 Compliant
- Overall Dimensions  
122mm W x 202mm H x 72mm D  
with push button projection to 96mm



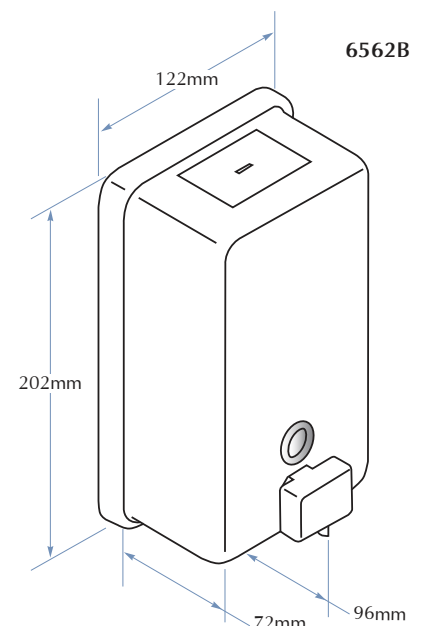
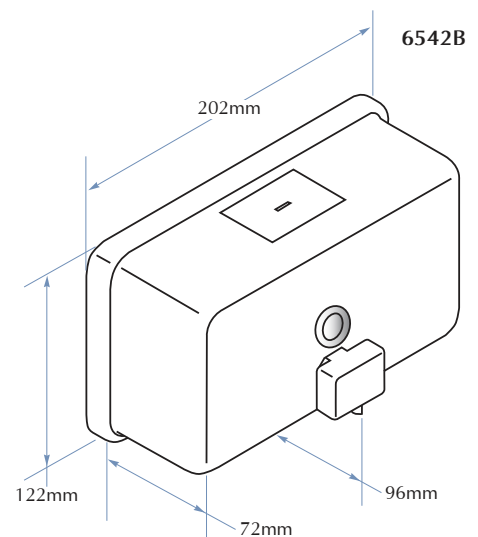
6542B Tank



6562B Tank



Push button replacement part code: CV025NBOB



### PRODUCT DATA:

#### CONSTRUCTION:

BODY: Fabricated of type 304 (18-8), 20 gauge stainless steel with exposed surfaces in architectural satin finish.

FACEPLATE: Fabricated of type 304 (18-8), 18 gauge stainless steel. Faceplate and soap vessel form one integral piece.

SOAP VALVE: ABS plastic mechanism.

SOAP VESSEL TANK: Made of polyethylene (PE) plastic.

#### CAPACITY:

1.2 litres of liquid soap. We recommend Bradley model PB609 liquid soap for optimum operation and performance. When using Bradley Australia liquid soap exclusively, these dispensers will carry a Lifetime Warranty.

#### OPERATION:

Push-in valve dispenses measured amount of liquid soaps, synthetic detergents and antiseptic solutions. Sight gauge indicates refill time. Locked filler top opens with special key provided.

#### INSTALLATION:

Secure to framing with mounting screws (included) at holes provided. Shim at screw points as required.

#### GUIDE SPECIFICATION:

Surface mounted liquid soap dispensers shall be fabricated of type 304 (18-8) heavy gauge stainless steel with exposed surfaces in architectural satin finish. Push-in corrosion-resistant valve with sight gauge.

1300 364 561

The manufacturer reserves the right to make changes in design and material without formal notice and without incurring obligation.