



PRODUCT FEATURES:

- Satin finish stainless steel
- Surface mounted
- 500mL capacity
- Bulk fill

Overall Dimensions:
Refer to drawings

PRODUCT DATA:

CONSTRUCTION:

PLUNGER AND SPOUT: Fabricated of chrome plastic

BOTTLE CASE AND FIXINGS: Made of type 304 stainless steel

INSIDE TANK: Made of clear moulded ABS plastic

CAPACITY:

500mL.

For optimum performance we recommend using Bradley Model PB609 formula liquid soap.

OPERATION:

Fills from top by unscrewing spout. The 6577 series will work best with Bradley Model PB609 formula liquid soap.

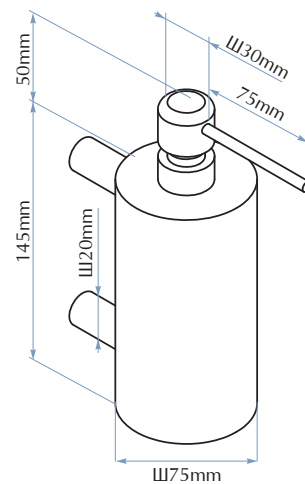
Spout is not fixed.

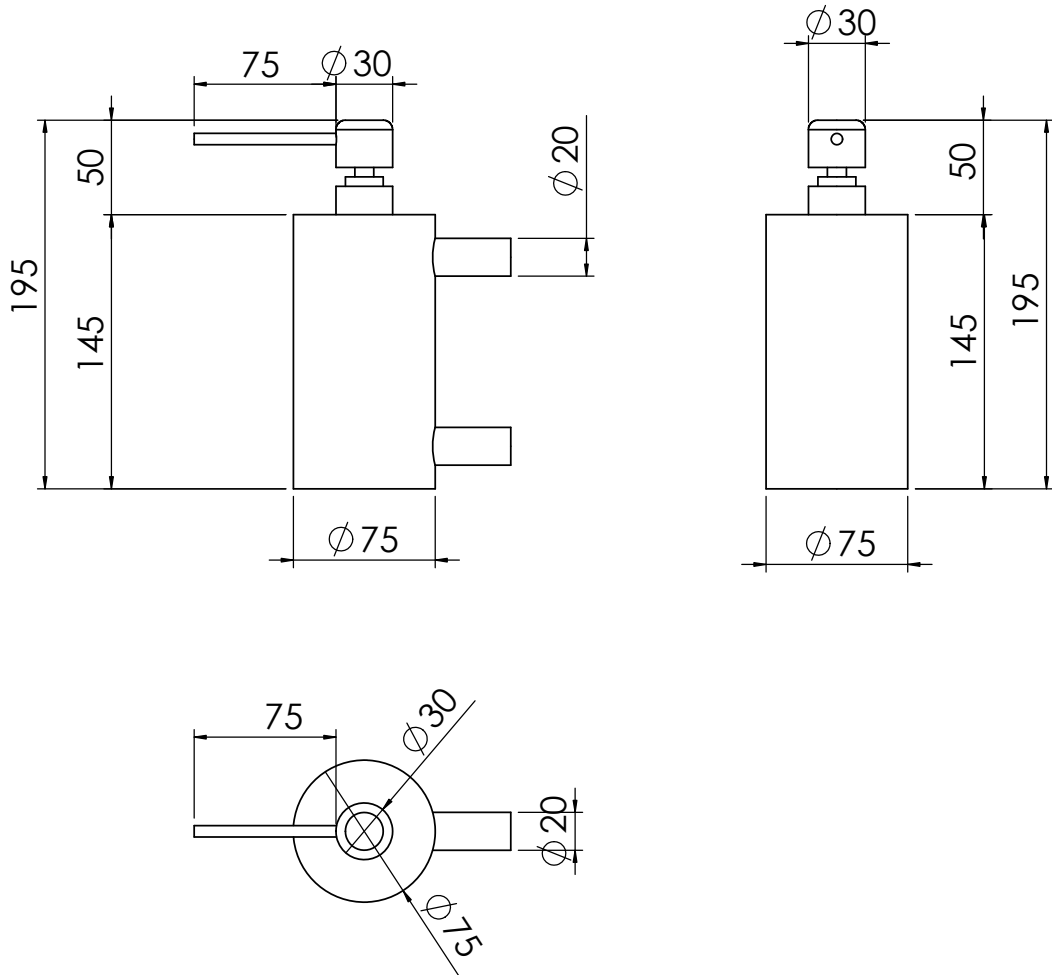
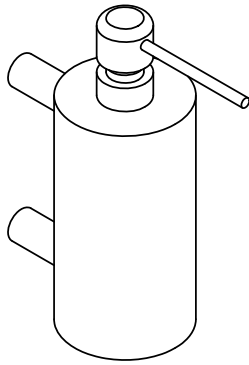
INSTALLATION:

Secure to wall with mounting screws (included) at holes provided.

GUIDE SPECIFICATION:

Wall mounted liquid soap dispenser manufactured of type 304 stainless steel and moulded ABS plastic. Valve shall dispense amounts of Bradley Model PB609 formula liquid soap.





Bradley	
DWG NO.	6577
APPROVED BY:	
Proudly customised design please approve	SCALE:1:4